

## Calio SI HP / HP Mini – High-efficiency Circulator



### Application

- Heating and air conditioning systems, industrial plants:
- One-pipe and two-pipe systems
- Underfloor heating systems
- Boiler or primary circuits
- Storage tank circuits
- Solar power systems
- Heat pumps

More information: [www.ksb.com.tr](http://www.ksb.com.tr)



Calio SI Hp Mini



Calio SI Hp Mini Oem

# Calio SI HP / HP Mini – High-efficiency Circulator

## 1 Outstanding energy efficiency

- Future-proof by optimised efficiencies, exceeding the requirements of the energy efficiency regulations.

## 2 Easy to install and commission

Features buttons for setting all operating modes, functions and setpoints.

## 3 Low cost

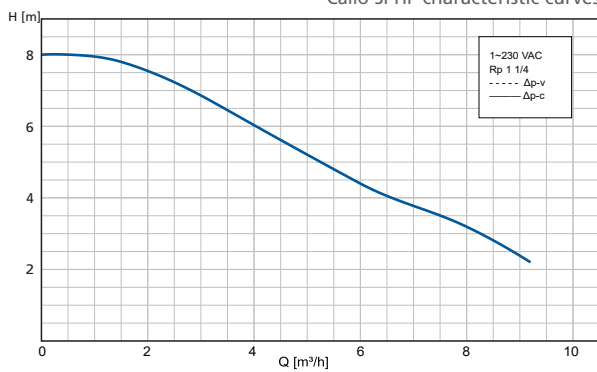
- This all-in-one concept with integrated communication interfaces reduces investment and commissioning costs.

## 4 Universal use

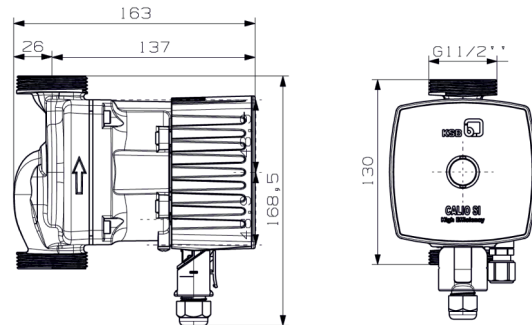
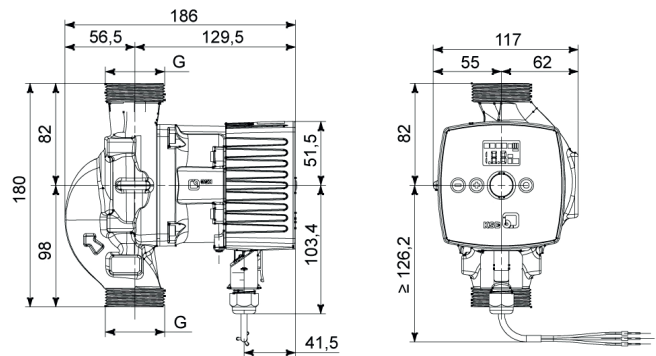
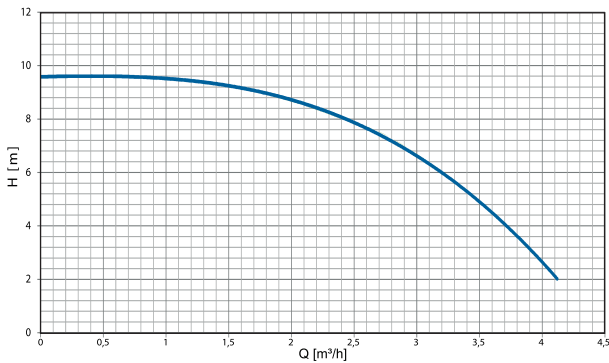
Wide field of applications for circulation systems

- One pump for two pressure classes: PN6/PN10

Calio SI HP characteristic curves



Calio SI HP Mini characteristic curves



### Technical Data

Type Series	Calio SI HP	Calio SI HP Mini
Flow Rate	Up to 9,6 m³/h	Up to 4 m³/h (Flanged Pump)
Head	Up to 8 mWS	Up to 9 mWS
Fluid Temperature	0 ile to 110 °C	0 to +110 °C
Operating Pressure	PN 6/10	PN 6/10
Pump Connection	DN 25, DN 30	DN 25, DN 30
Electrical Connection	1~230VAC 50Hz	1~230VAC 50Hz
Enclosure	IP44	Ip44



### KSB Pompa Armatür San. ve Tic. A.Ş.

Ankara: Mahatma Gandhi Cad. No:54 06680 • Gaziosmanpaşa / Ankara  
Tel: (0312) 437 11 75 • Fax: (0312) 437 65 37 • E-mail: ankara@ksb.com.tr

İstanbul: Oruçreis Mah. Tekstilentek Sk. No: 12A 8.Kat Daire: 084 İç Kapı No:2 Koza Plaza B Blok Esenler / İstanbul  
Tel: (0212) 272 71 72 • Fax: (0212) 272 75 55 • E-mail: istanbul@ksb.com.tr

www.ksb.com.tr