

Calio SI DCS – High-efficiency Circulator



80% Energy
Conservation

Applications:

- Combi Systems

More information:
www.ksb.com.tr



Calio SI DCS – High-efficiency Circulator

1 Cost-efficient

- Maximum operating cost savings by high-efficiency technology combined with speed control

2 Easy to operate

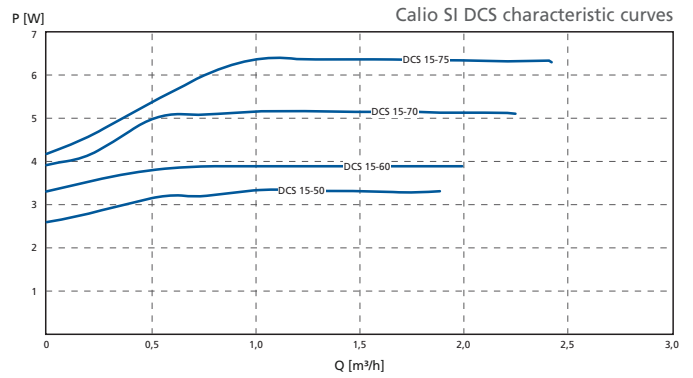
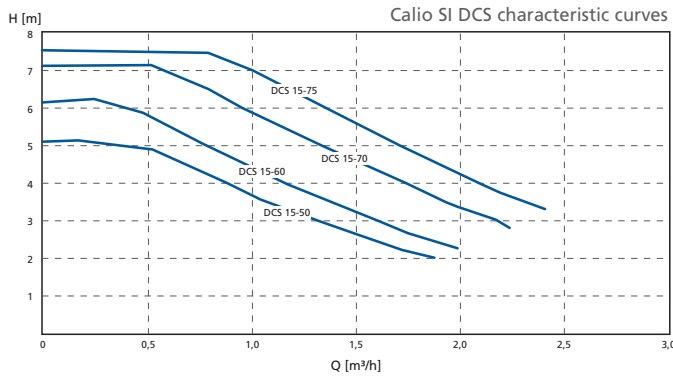
- PWM Control for combi systems
- Plug & pump: easy to install and operate
- Automatic rotor deblocking system
- Soft start function
- Low noise due to 6-pole rotor and optimised minimum cogging torque

3 Economical

- High-efficiency wet rotor motor: EEI < 0.23
- Maintenance-free

4 Reliable

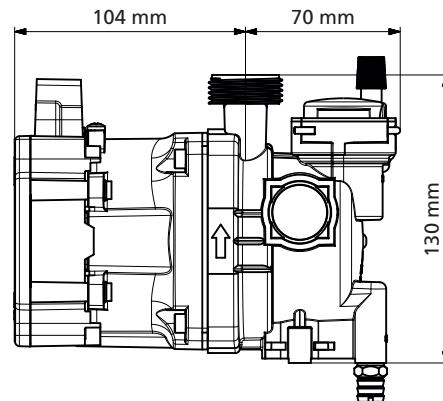
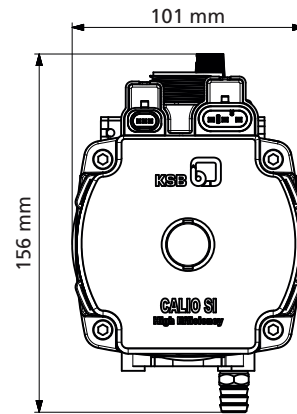
- Use of ferrite magnets to reduce magnetite problems
- Increased corrosion protection through totally enclosed rotor
- Full motor protection with integrated electronics
- Long service life thanks to ceramic bearings



Technical Data

Type Series	Calio SI DCS
Flow Rate	Up to 2,4 m ³ /h
Head	Up to 7,5 m
Fluid Temperature	-10 to +95 °C
Ambient Temperature	0 to +70 °C
Operating Pressure	PN6
Sound Pressure Level	< 43 dB
Enclosure	IP 44
EEI	< 0,23

Size	V/Hz	Q(m ³ /h)	H(m)	P(W)	I(A)	Length
DCS 15-75	230/50	2,40	7,50	62,00	0,53	130 mm
DCS 15-70	230/50	2,25	7,00	52,00	0,45	130 mm
DCS 15-60	230/50	2,00	6,00	39,00	0,35	130 mm
DCS 15-50	230/50	1,90	5,00	33,00	0,29	130 mm



KSB Pompa Armatür San. ve Tic. A.Ş.

Ankara: Mahatma Gandhi Cad. No:54 06680 • Gaziosmanpaşa / Ankara
Tel: (0312) 437 11 75 • Fax: (0312) 437 65 37 • E-mail: ankara@ksb.com.tr

İstanbul: Oruçreis Mah. Tekstilcent Sk. No: 12A 8.Kat Daire: 084 İç Kapı No:2 Koza Plaza B Blok Esenler / İstanbul
Tel: (0212) 272 71 72 • Fax: (0212) 272 75 55 • E-mail: istanbul@ksb.com.tr

www.ksb.com.tr