

## Calio SI DCS – High-efficiency Circulator



**80%** Energy  
Conservation

### Applications:

- Combi Systems

More information:  
[www.ksb.com.tr](http://www.ksb.com.tr)



# Calio SI DCS – High-efficiency Circulator

## 1 Cost-efficient

- Maximum operating cost savings by high-efficiency technology combined with speed control

## 2 Easy to operate

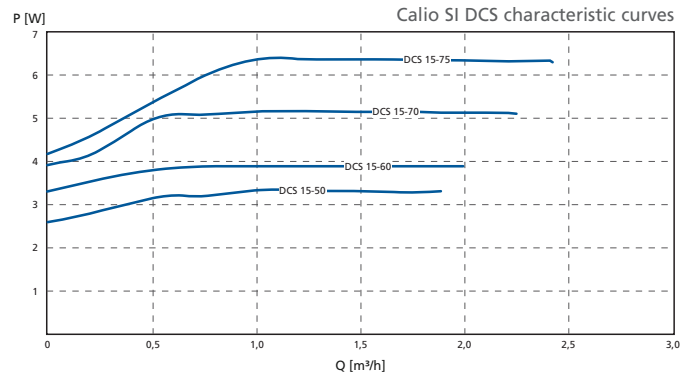
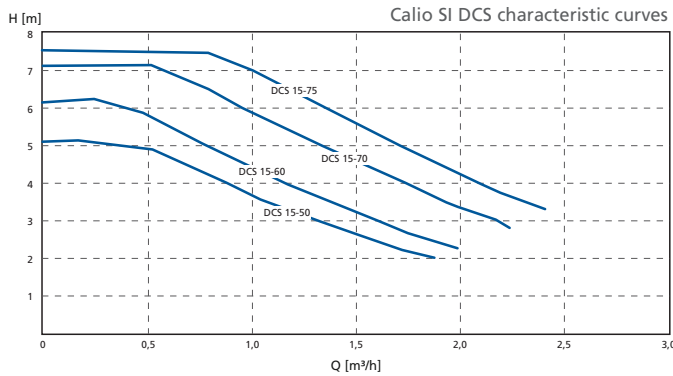
- PWM Control for combi systems
- Plug & pump: easy to install and operate
- Automatic rotor deblocking system
- Soft start function
- Low noise due to 6-pole rotor and optimised minimum cogging torque

## 3 Economical

- High-efficiency wet rotor motor: EEI < 0.23
- Maintenance-free

## 4 Reliable

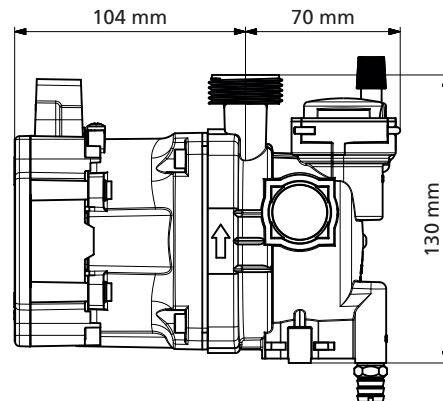
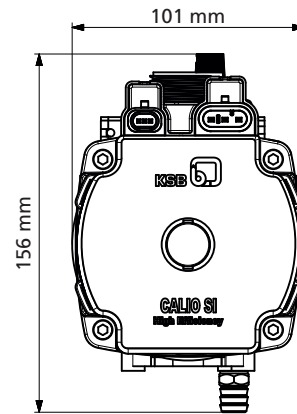
- Use of ferrite magnets to reduce magnetite problems
- Increased corrosion protection through totally enclosed rotor
- Full motor protection with integrated electronics
- Long service life thanks to ceramic bearings



## Technical Data

Type Series	Calio SI DCS
Flow Rate	Up to 2,4 m³/h
Head	Up to 7,5 m
Fluid Temperature	-10 to +95 °C
Ambient Temperature	0 to +70 °C
Operating Pressure	PN3
Sound Pressure Level	< 43 dB
Enclosure	IP 44
EEI	≤ 0,23

Size	V/Hz	Q(m³/h)	H(m)	P(W)	I(A)	Length
DCS 15-75	230/50	2,40	7,50	62,00	0,53	130 mm
DCS 15-70	230/50	2,25	7,00	52,00	0,45	130 mm
DCS 15-60	230/50	2,00	6,00	39,00	0,35	130 mm
DCS 15-50	230/50	1,90	5,00	33,00	0,29	130 mm



## KSB Pompa Armatür San. ve Tic. A.Ş.

Ankara: Mahatma Gandhi Cad. No:54 06680 • Gaziosmanpaşa / Ankara  
 Tel: (0312) 437 11 75 • Fax: (0312) 437 65 37 • E-mail: ankara@ksb.com.tr  
 İstanbul: Karadeniz Mh. Eski Edirne Asfaltı No:408 J-Blok Kapı No: 45-46  
 34250 • Venezia Mega Offices • Gaziosmanpaşa / İstanbul  
 Tel: (0212) 272 71 72 • Fax: (0212) 272 75 55 • E-mail: istanbul@ksb.com.tr

[www.ksb.com.tr](http://www.ksb.com.tr)